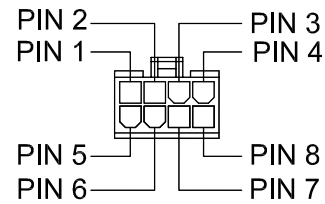



Table.1 Connector Interface (Motor)

Pin No.	COLOR	FUNCTION	LEAD WIRE
1	BLACK	GND	UL1061 AWG 26
2	BLUE	Motor W	UL 1061 AWG 22
3	GREEN	Motor V	
4	YELLOW	Motor U	
5	RED	VCC	UL 1061 AWG 26
6	BROWN	Hall C	
7	GRAY	Hall B	
8	WHITE	Hall A	

A Fig.1 Connecetor

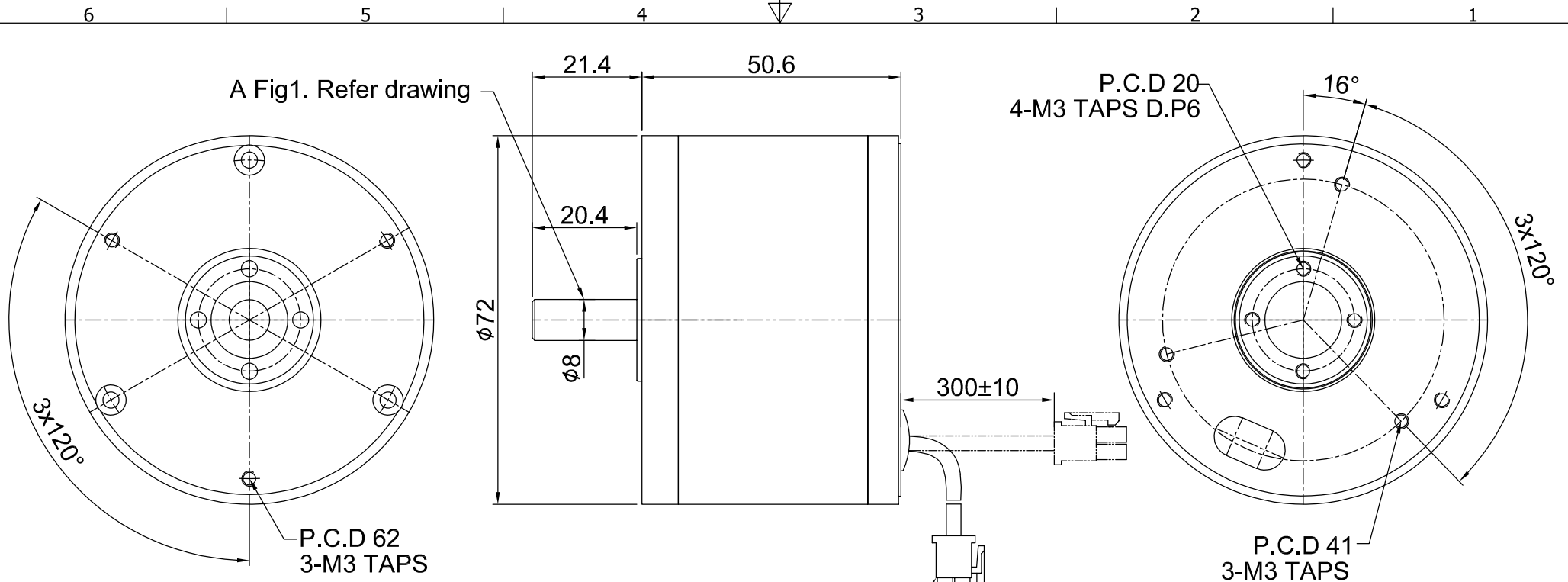


REV.	DATE	DESCRIPTION	DRWN
MATERIAL	-	PLATING	-
SCALE	N/S	PAPER	A4
QUANTITY	-		
DWG NO.	DSM-722-24V-A-M		DIMENSION mm

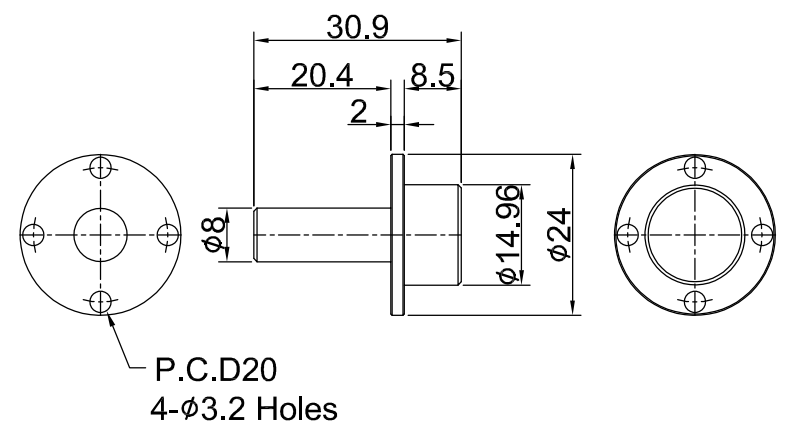


(주)디엔지위드
D&J WITH Co.,Ltd

SUBJECT
DSM-722
(Standard module Type)



A Fig.1 Refer drawing
Model : Solid Shaft



B Fig.2 Connector

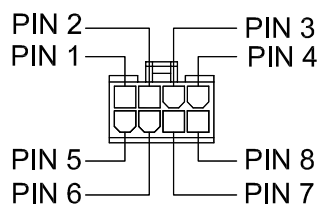


Table.1 Connector Interface (Motor)

Pin No.	COLOR	FUNCTION	LEAD WIRE
1	BLACK	GND	UL1061 AWG 26
2	BLUE	Motor W	UL 1061 AWG 22
3	GREEN	Motor V	
4	YELLOW	Motor U	
5	RED	VCC	UL 1061 AWG 26
6	BROWN	Hall C	
7	GRAY	Hall B	
8	WHITE	Hall A	

REV.	DATE	DESCRIPTION	DRWN
MATERIAL	-	PLATING	-
SCALE	N/S	PAPER	A4
DWG NO.	DSM-722-24V-A-M-AX		DIMENSION mm



SUBJECT
DSM-722S
(Solid Type)