

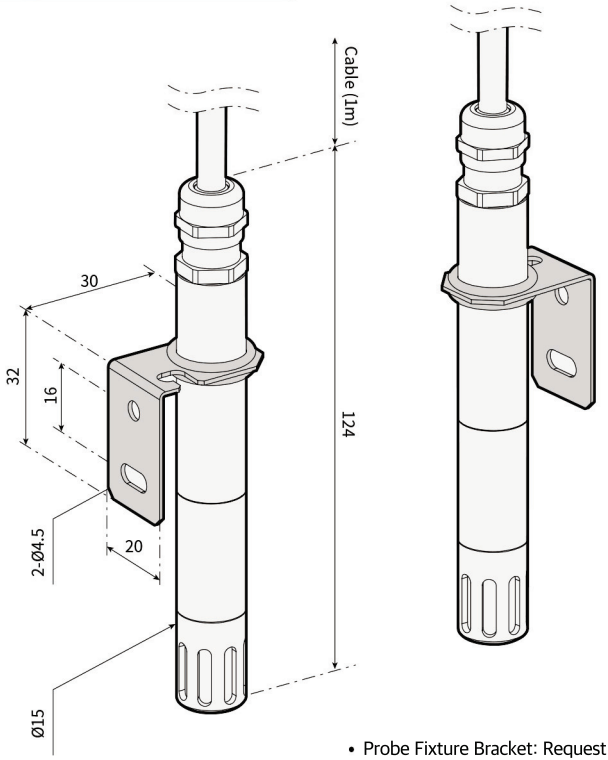
# DHTP-485SA

1709D\_ver 3.0

## Humidity-Temperature Probe

The DHTP-485SA temperature and humidity probe is equipped with a high-precision temperature / humidity sensor and can simultaneously detect temperature and humidity at various points using RS-485 communication.

### Shape & Dimension



**Dimension (mm)** Probe : Ø15 x 124  
Bracket : 32 x 20 x 30

**Cable** 4 Wire  
Length : 1m

### Product Features

- This product is not limited by the distance by RS-485 communication.
- Provides a PC program that allows you to check the temperature and humidity in real time by installing the product.

### Temperature · humidity measurement

#### Relative Humidity

Sensor	Capacitive Polymer
Range	0 to 100% RH
Accuracy	±0.2% RH
Reproducibility	±0.2% RH
Resolution	±0.2% RH

#### Temperature

Sensor	PTAT
Range	-30°C to +80°C
Accuracy	±0.2°C (0°C to +60°C)
Resolution	0.01°C

### Connection

#### Cable (4Wire) Connection

● RED	Vcc (7~24Vdc)
● BLACK	GND
● GREEN	DP (RS-485)
○ WHITE	DN (RS-485)

- ⚠ Termination resistance (120Ω) is not included.
- Contact us if you want to change the cable length

### Communication : RS-485 (Modbus ASCII)

#### Communication settings

Baud Rate	9600
Data Bit	8 Bit
Parity	None
Stop Bit	1
Flow Control	None
ID No.	0x01 ~ 0xC8 (200 ID's)

#### Protocol

Format : Modbus ASCII

Req. Function Code : Read Input Register (0x04)

Request Register	Data Format
Humidity	0x0004 Signed Short
Temperature	0x0005 Signed Short
Dew Point	0x0006 Signed Short

Example) • DHTP-485 ID : 0x80

• Request - Humi, Temp, DewPoint  
: 80040004000375<CR><LF>

• Response  
: 80040613340A9C06156E<CR><LF>

→ Humi : 49.16 / Temp : 27.16 / Dewpoint : 15.57

# DHTP-485SA Monitoring Program (COSMOS)

## Probe Monitoring Program

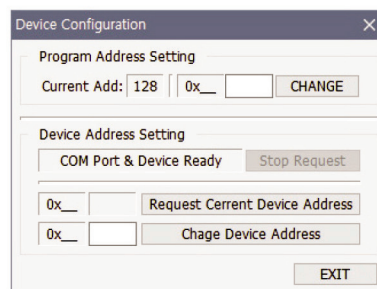
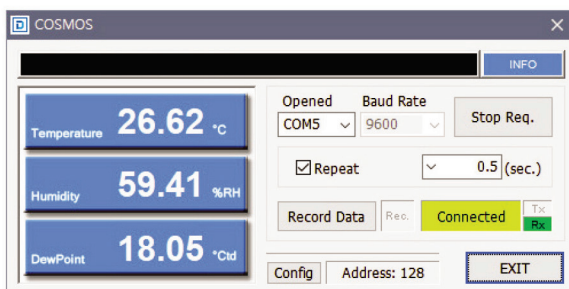
This product is designed to monitor and control temperature and humidity at various points simultaneously using MODBUS protocol for RS-485 communication.

1709D\_ver 3.0

### COSMOS - S

#### Individual monitoring system

- Individual address settings (image)
- Data saving (Text file)



### COSMOS - M

#### Multi monitoring system

- Up to 50 multi-programs Full monitoring and address setting (1 to 50)
- Data saving (Text file)
- After setting the reference range, the sensor which is out of the reference value range can be confirmed by the color change (green → yellow → red)

